

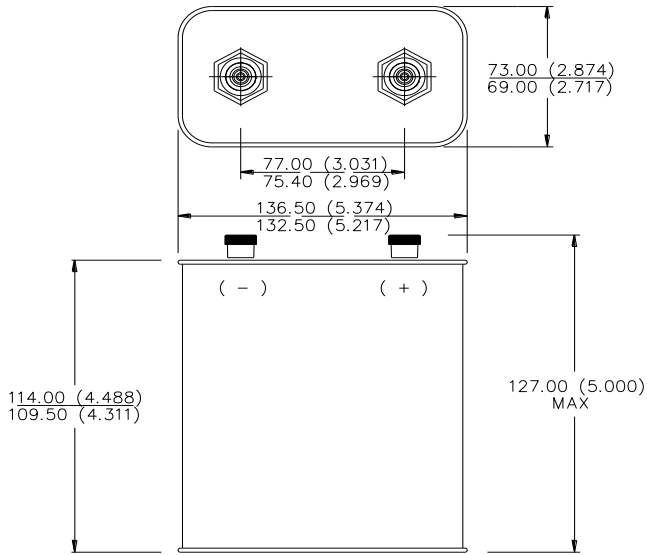


Eveready 1231

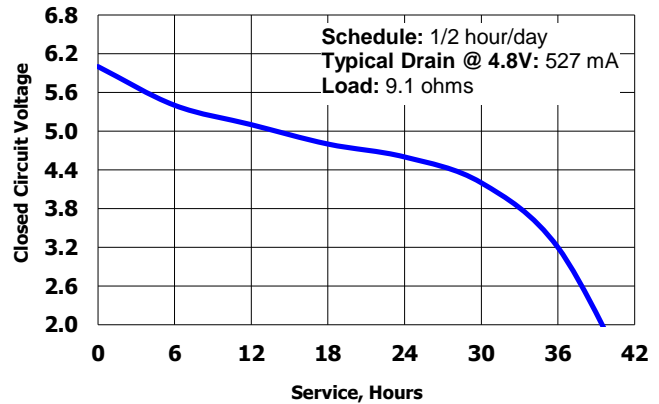


Chemical System: Zinc-Manganese Dioxide (Zn/MnO₂)
Designation: ANSI / NEDA-918D, IEC-4R25-2
Battery Voltage: 6 Volts
Average Weight: 1,270 grams (44.7 oz.)
Volume: 1,123 cubic centimeters (68.5 cubic inch)
Average Capacity: 22 Ah to 3.2 volts
 (Rated at 25mA continuous at 21°C)
Cells: Eight No. 60 (size "F")
 Two parallel strings of four in series
Jacket: Metal

Industry Standard Dimensions



TYPICAL DISCHARGE CURVE
 Simulated Test @ 21°C (70°F)



Simulated Application Test
 Estimated Average Service at 21°C (70°F)

Schedule:	Typical Drains at 4.8V (milliamperes)	Load (ohms)	Cutoff Voltage			
			2.6V	3.0V	3.2V	3.6V
1/2 hour/day	527	9.1	38	37	36	34
24 hours/day	527	9.1	35	31	29	25

Important Notice

This datasheet contains typical information specific to products manufactured at the time of its publication. **Contents herein do not constitute a warranty and are for reference only.**