



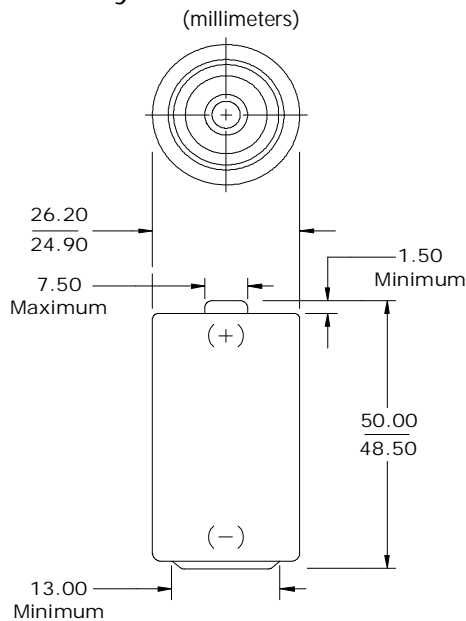
<https://www.mega-piles.com/>



# Eveready Silver C (R14)



## Industry Standard Dimensions

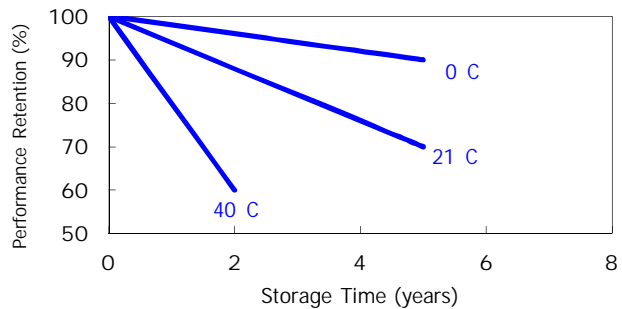


## Specifications

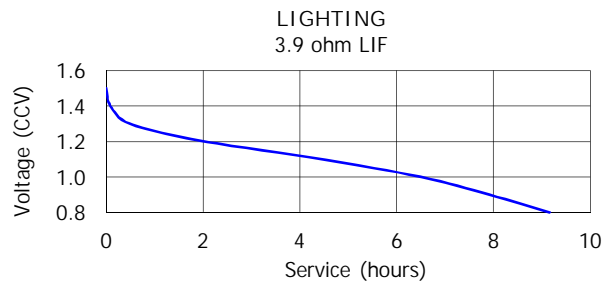
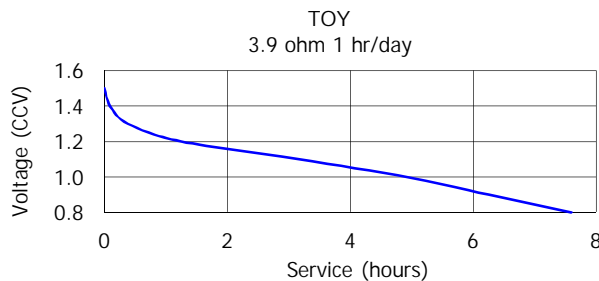
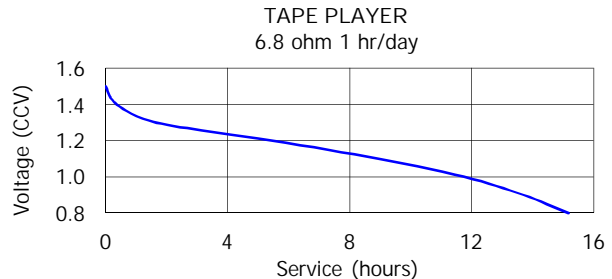
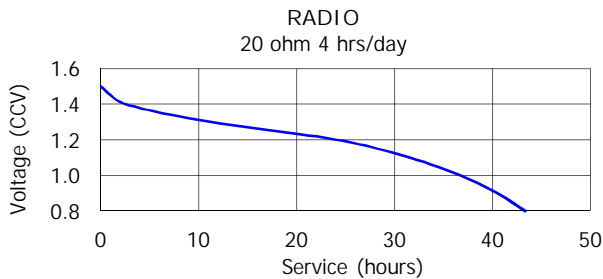
Classification:	"Carbon Zinc" (Zinc Chloride)
Chemical System:	Zinc-Manganese Dioxide (Zn/MnO <sub>2</sub> ) No Added Mercury or Cadmium
Designation:	IEC-R14
Nominal Voltage:	1.5 volts
Typical Capacity:	3,420 mAh* (to 0.8 volts)
Capacity Test:	25 mA continuous drain (21°C)
* Varies according to the applied load, temperature, and cutoff voltage.	
Operating Temp:	-18°C to 55°C
Typical Weight:	45 grams
Typical Volume:	25 cubic centimeters
Jacket:	Metal

## Storage/Capacity Characteristics

Effects of Storage at Various Temperatures



## Industry Standard Tests (21°C)



### Important Notice

This datasheet contains information specific to battery chargers manufactured at the time of its publication.  
©Energizer Holdings, Inc. - Contents herein do not constitute a warranty.