



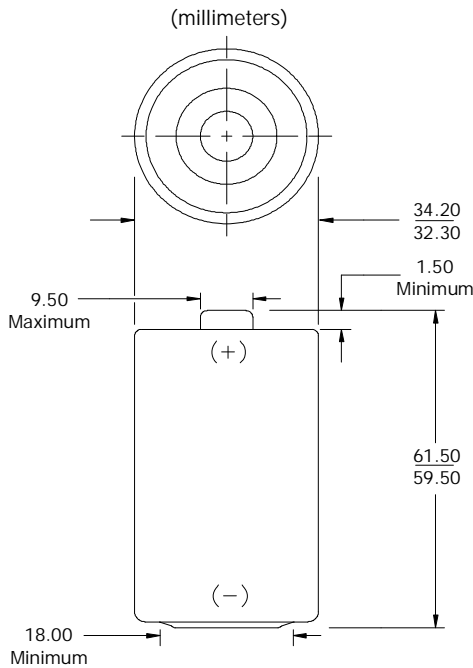
<https://www.mega-piles.com/>

D

Eveready Gold (LR20)



Industry Standard Dimensions

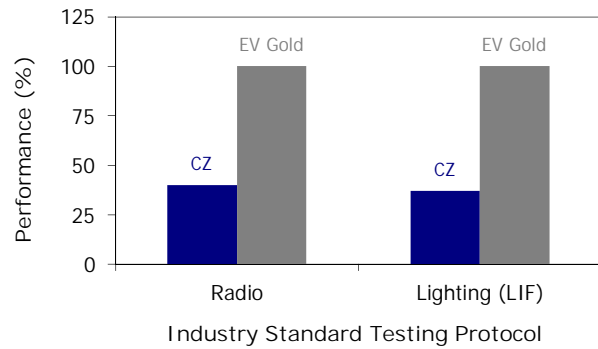


Specifications

Classification:	Alkaline
Chemical System:	Zinc-Manganese Dioxide (Zn/MnO ₂) No added mercury or cadmium
Designation:	IEC-LR20
Nominal Voltage:	1.5 volts
Operating Temp:	-18°C to 55°C
Typical Weight:	148.0 grams
Typical Volume:	56.0 cubic centimeters
Jacket:	Plastic Label
Shelf Life:	7 years at 21°C (80% of initial capacity)
Terminal:	Flat Contact

Performance Comparison

Eveready Gold vs. Typical Carbon Zinc (D) at 21°C



Device Selection Guide:

Portable Stereo



Toy



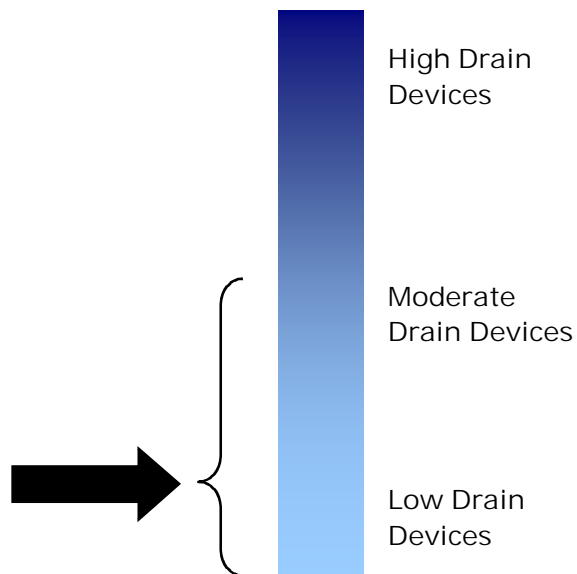
Lighting



Radio



Battery Selection Indicator



Important Notice

This data sheet contains typical information specific to products manufactured at the time of its publication.
©Energizer Holdings, Inc. - Contents herein do not constitute a warranty.