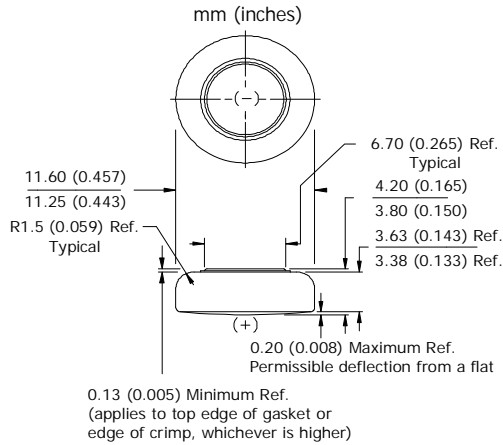


ENERGIZER 386/301

SILVER OXIDE



Industry Standard Dimensions



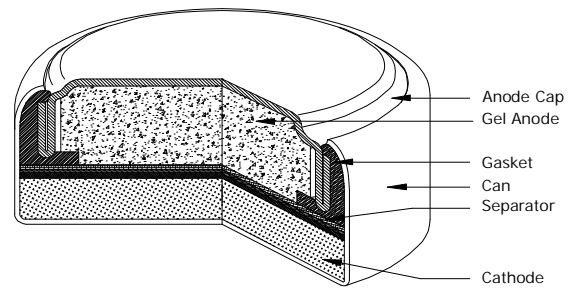
DESIGNED FOR USE ON CONTINUOUS LOW DRAIN
HIGH PULSE ON DEMAND

Specifications

Chemical System:	Silver Oxide (Zn/Ag ₂ O)
Designation:	IEC-SR43
Nominal Voltage:	1.55 Volts
Typical Capacity:	127 mAh* (to 1.2 volts)
Capacity Test:	6.5K ohm continuous drain at 21°C
Typical Weight:	1.7 grams
Typical Volume:	0.44 cubic centimeters
Impedance (40 Hz):	5 to 15 ohms

* Varies according to the applied load, temperature, and cutoff voltage.

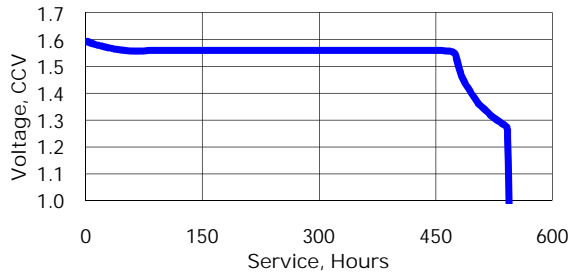
Cross Section



Typical Discharge Characteristics

Typical Performance at 21°C (70°F)

Schedule: Continuous
Typical Drain @1.52V:
0.234 milliamperes
Load: 6.5K ohm

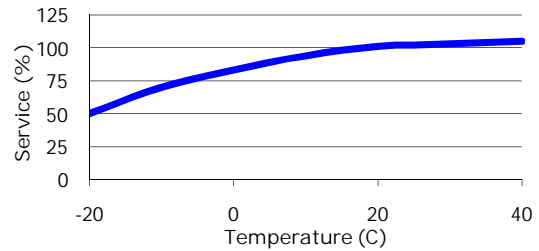


Schedule	Typical Drains at 1.52V (milliamperes)	Load (ohm)	Cutoff (hours)
Continuous	0.234	6.5K	542

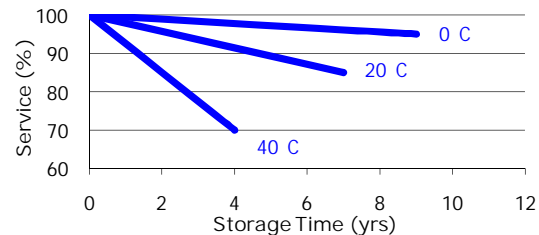
Temperature Characteristics

Typical Performance at Low Discharge Rates

Service Effects



Storage Effects



Important Notice

This datasheet contains typical information specific to products manufactured at the time of its publication.
©Energizer Holdings, Inc. - Contents herein do not constitute a warranty.