

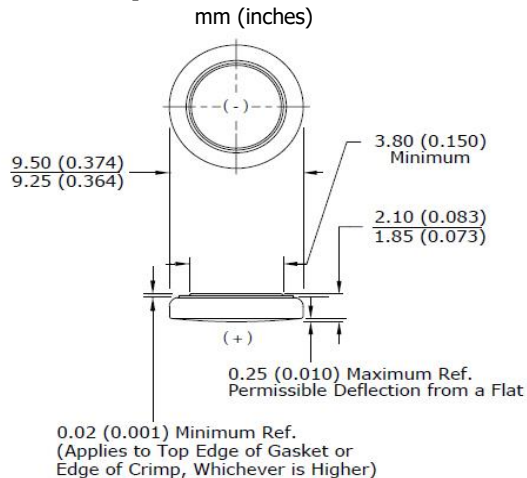
ENERGIZER 371/370

ZEROMERCURY

SILVER OXIDE



Industry Standard Dimensions



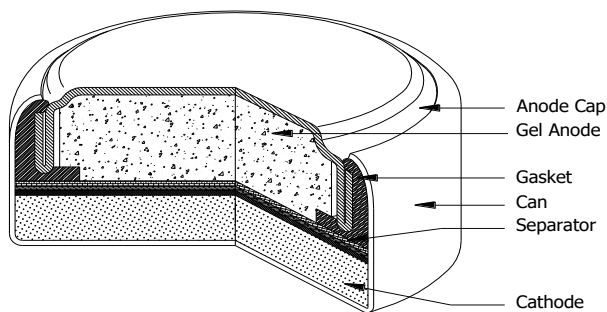
DESIGNED FOR USE ON CONTINUOUS LOW DRAIN
HIGH PULSE ON DEMAND

Specifications

Chemical System:	Silver Oxide (Zn/Ag ₂ O)
Designation:	IEC-SR69
Nominal Voltage:	1.55 Volts
Typical Capacity:	34 mAh* (to 1.5 volts)
Capacity Test:	33K ohm continuous drain at 21°C
Typical Weight:	0.7 grams (0.023 oz.)
Typical Volume:	0.15 cubic centimeters (0.009 cubic inch)
Impedance (40 Hz):	10 to 20 ohms

* Varies according to the applied load, temperature, and cutoff voltage.

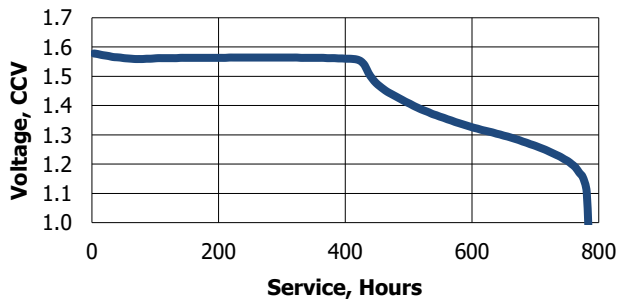
Cross Section



Typical Discharge Characteristics

Typical Performance at 21°C (70°F)

Schedule: Continuous
Typical Drain @1.47V:
0.045 milliamperes
Load: 33K ohm

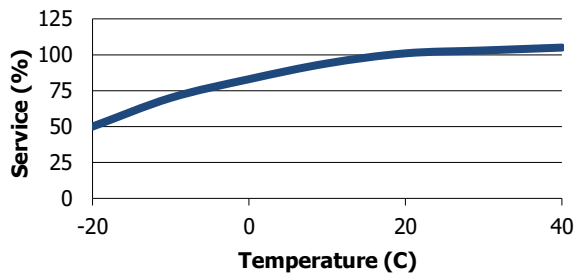


<u>Schedule</u>	<u>Typical Drains</u> at 1.47V (milliamperes)	<u>Load</u> (ohm)	<u>Cutoff</u> (hours)
Continuous	0.045	33K	763

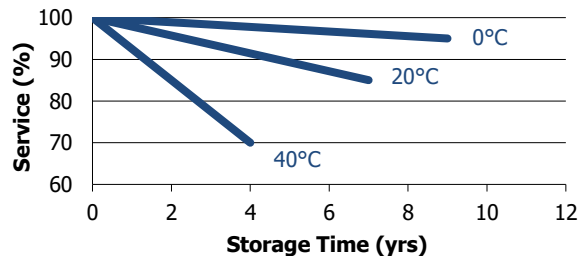
Temperature Characteristics

Typical Performance at Low Discharge Rates

Service Effects



Storage Effects



Important Notice

This datasheet contains typical information specific to products manufactured at the time of its publication.
Contents herein do not constitute a warranty and are for reference only.