



https://www.mega-piles.com/

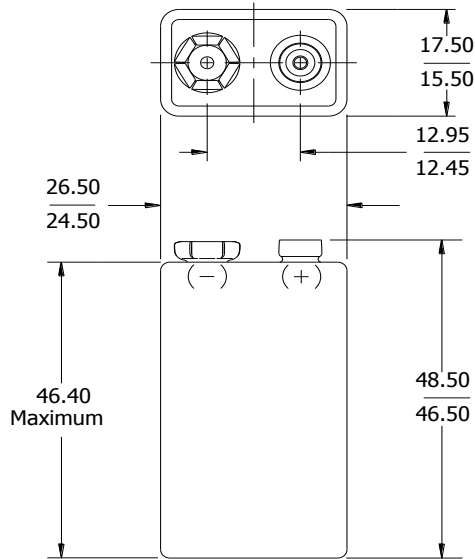
9V

ENERGIZER 6LR61
ALKALINE POWER



Industry Standard Dimensions

(millimeters)

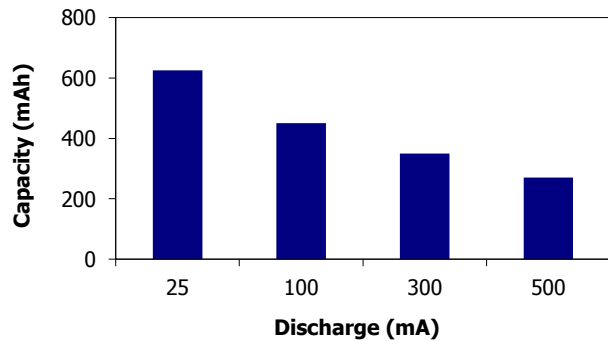


Specifications

Classification:	Alkaline
Chemical System:	Zinc-Manganese Dioxide (Zn/MnO ₂) No added mercury or cadmium
Designation:	IEC-6LR61
Nominal Voltage:	1.5 volts
Operating Temp:	-18°C to 55°C
Typical Weight:	46.0 grams
Typical Volume:	21.0 cubic centimeters
Jacket:	Metal
Shelf Life:	5 years at 21°C
Terminal:	Miniature Snap

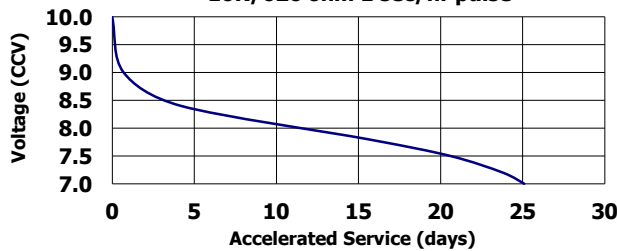
Milliamp-Hours Capacity

Continuous discharge to 4.8 volts at 21°C

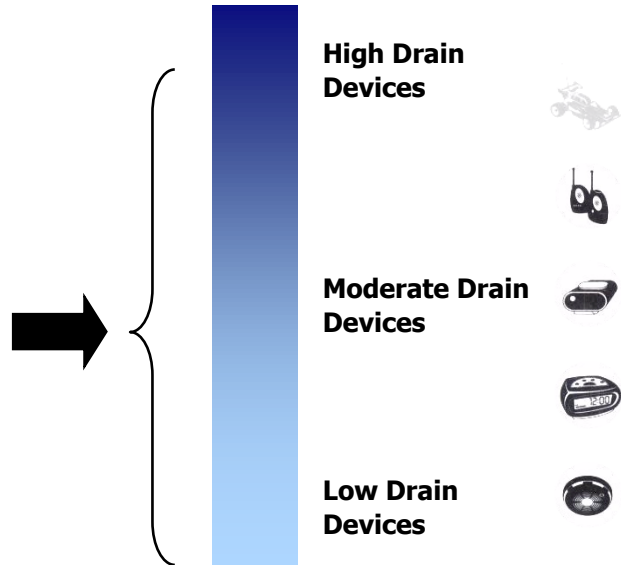


Industry Standard Testing (21°C):

ACCELERATED SMOKE DETECTOR
10K/620 ohm 1 sec/hr pulse



Battery Selection Indicator



Important Notice

This datasheet contains typical information specific to products manufactured at the time of its publication.

©Energizer Brands, LLC - Contents herein do not constitute a warranty.