


# DURACELL®

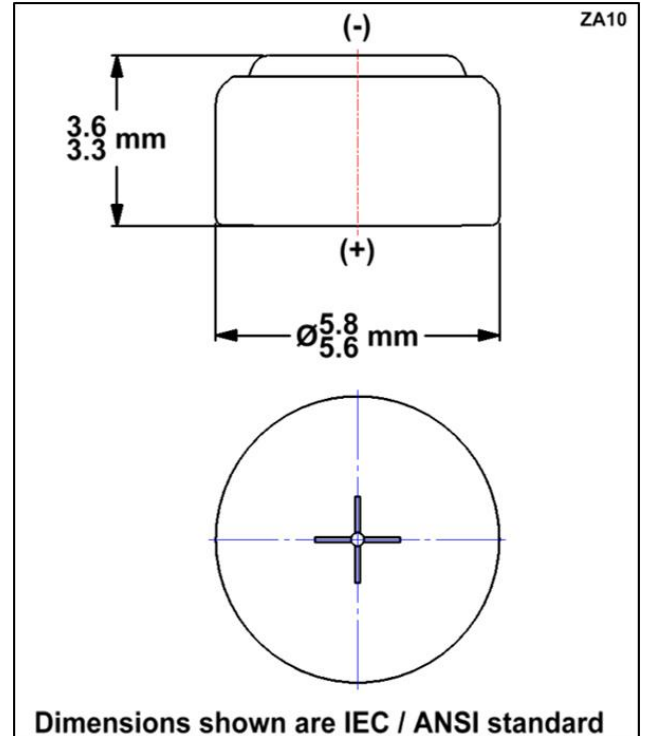
**MEGA-PILES** <https://www.mega-piles.com/>

## Size: 10

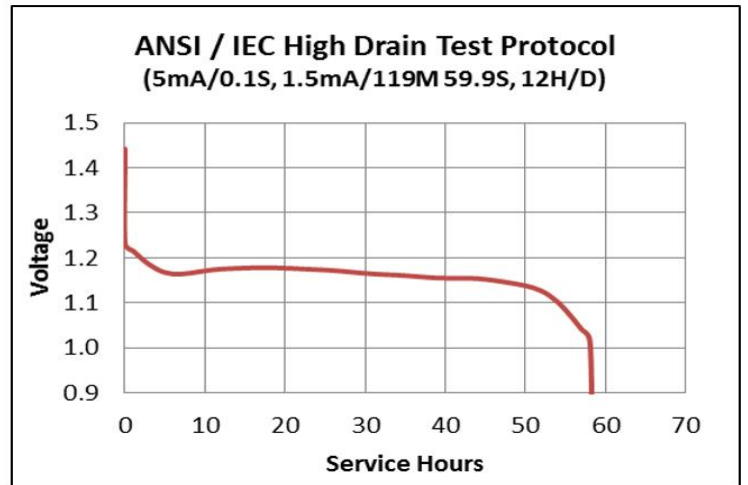
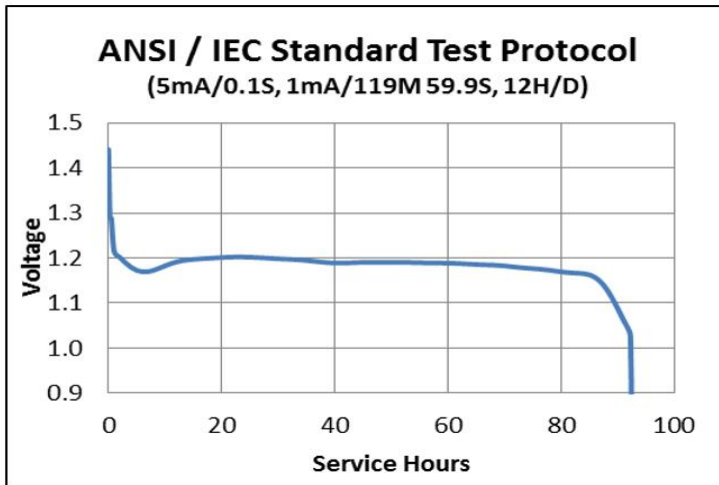
Zinc Air Battery – 0% Mercury

Zn/O<sub>2</sub>

	
Nominal Voltage	1.45 V
Rated Capacity	100 mAh at 3000 ohm to 1.1 V @ 21°C and 50% RH
Typical Impedance (Fresh)	9.0 ohm @ 1kHz
Typical Weight	0.3 g (0.01 oz)
Volume	0.08 cm <sup>3</sup> (0.005 in <sup>3</sup> )
Terminals	Flat
Operating Temperature Range	0°C to 50°C (32°F to 122°F)
Recommended Storage Temperature	5°C to 30°C with 40-80% RH
Shelf Life	4 years unactivated @ 21°C
Designation	ANSI: 7005Z IEC: PR70



### Typical Discharge Characteristics at 21°C (70°F) and 50% RH



## DURACELL®

BATTERIES

Berkshire Corporate Park  
Bethel, CT. 06801 U.S.A.  
Telephone: Toll-free 1-800-544-5454  
[www.duracell.com](http://www.duracell.com)

Delivered capacity is dependent on the applied load, operating temperature and cut-off voltage. Please refer to the charts and discharge data shown for examples of the energy/service life that the battery will provide for various load conditions.