



<https://www.mega-piles.com/>

9V

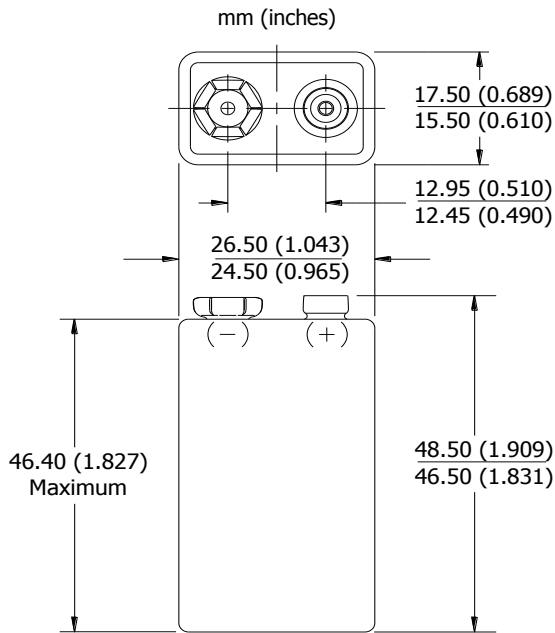
MAX PLUS EP522



Specifications

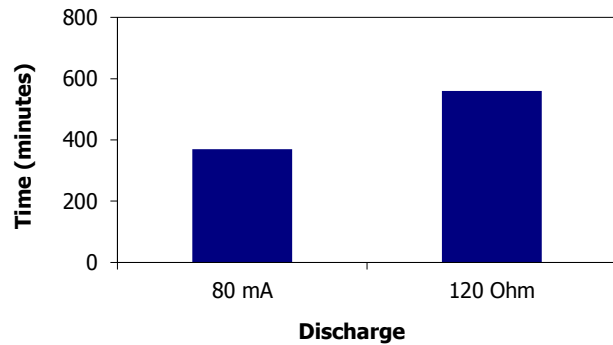
Classification:	Alkaline
Chemical System:	Zinc-Manganese Dioxide (Zn/MnO ₂) No added mercury or cadmium
Designation:	IEC-6LR61 ANSI-1604A
Nominal Voltage:	9.0 volts
Operating Temp:	-18°C to 55°C
Typical Weight:	45.0 grams (1.58 oz.)
Typical Volume:	21.1 cubic centimeters
Jacket:	Plastic
Shelf Life:	5 years at 21°C
Terminal:	Miniature Snap

Industry Standard Dimensions

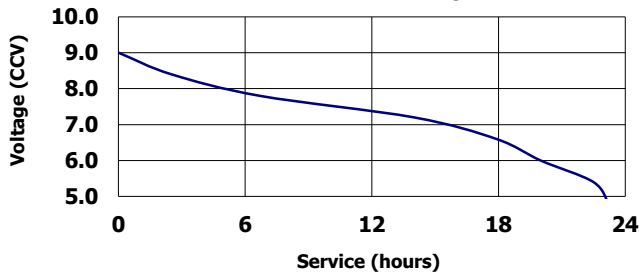


Continuous Discharge

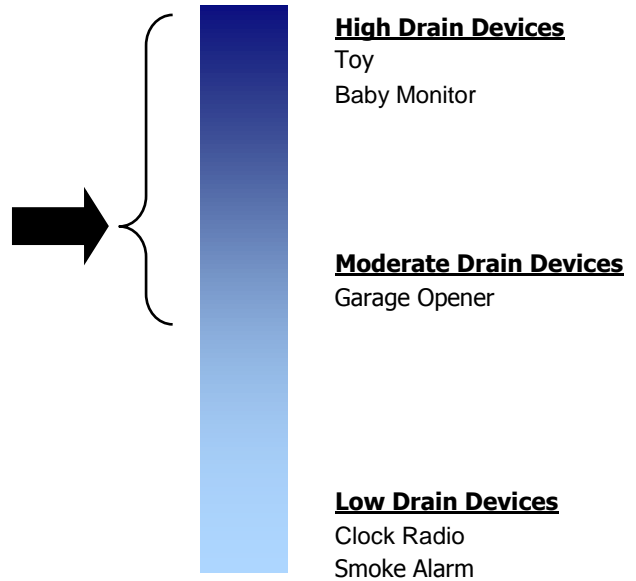
to 4.8 volts at 21°C



**INDUSTRY STANDARD TOY TEST
270 ohm 1 hr/day**



Battery Selection Indicator



Important Notice

This datasheet contains typical information specific to products manufactured at the time of its publication.
©Energizer Brands, LLC. - Contents herein do not constitute a warranty.