



Size: AAA 800 mAh (HR3)
Rechargeable NiMH Battery

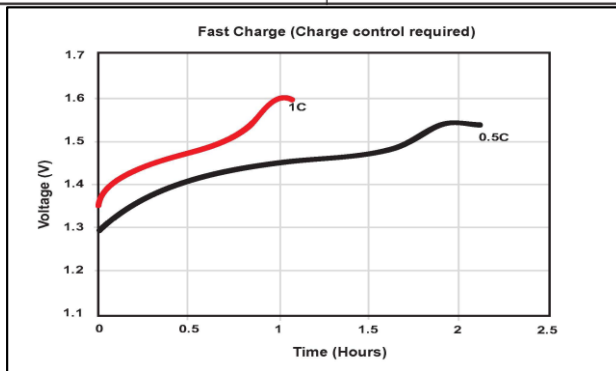
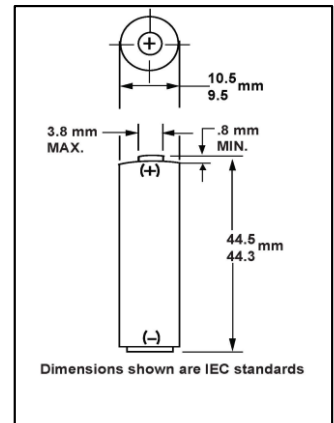
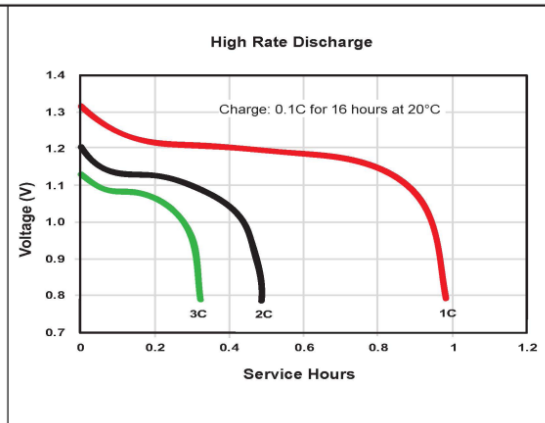
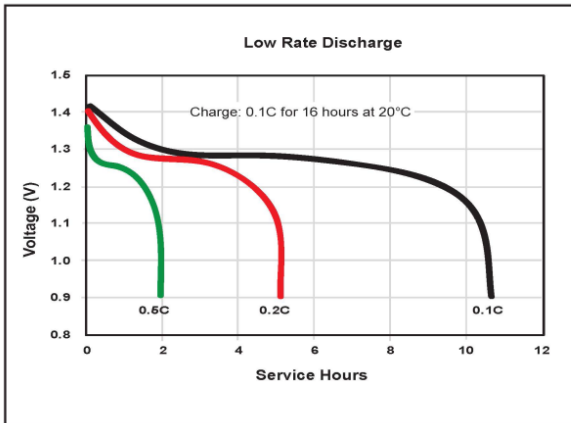
Technical Specifications



Classification:	Cylindrical Rechargeable
Chemical system	Nickel Metal Hydride (Ni-MH)
Designation:	IEC – HR3
Nominal Voltage:	1.2V
Operating Voltage:	1.0V-1.35V
Operating temp:	-10°C to 50°C
Storage Temp:	5°C – 30°C
Typical weight:	12.8g
Typical Volume:	3.5 cubic centimeters
Typical Impedance:	30 milliohm @ 1 khz
Rated Capacity:	800 mAh
Safety Features:	Pressure released resettable vent

BENEFITS

- Stays charged for up to 12 months.*
- Pre-charged, ready to use out of the package.
- 1 charge up to 45 hours in wireless mouse
- 1 charge up to 7.5 hours in gaming controller
- 1 charge up to 250 pictures



DURACELL
BATTERIES

Berkshire Corporate Park
Bethel, CT 06801 U.S.A.
Tel: Toll free 1.800.544.5454
Web: www.Duracell.com

*When not in use.

Information and contents in this data sheet are for reference purposes only. They do not constitute any warranty and representation is subject to change without notice. For most current information and further details, please contact Duracell.