

DURACELL®

RECHARGE PLUS



DC2400

Size: AAA 750 mAh (HR3)
Rechargeable NiMH Battery

NiMH

Technical Specifications



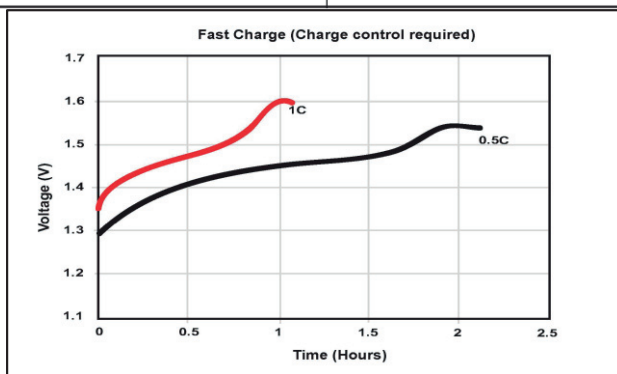
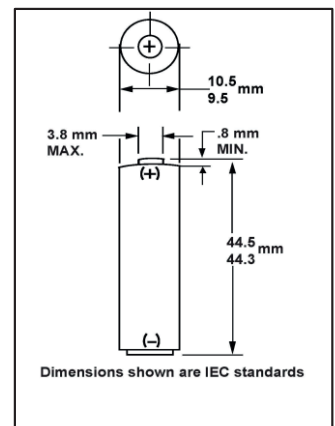
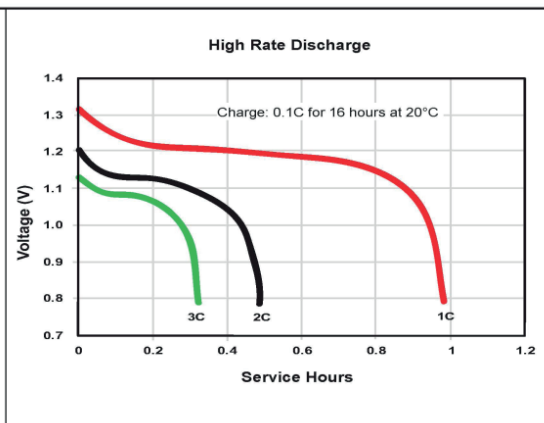
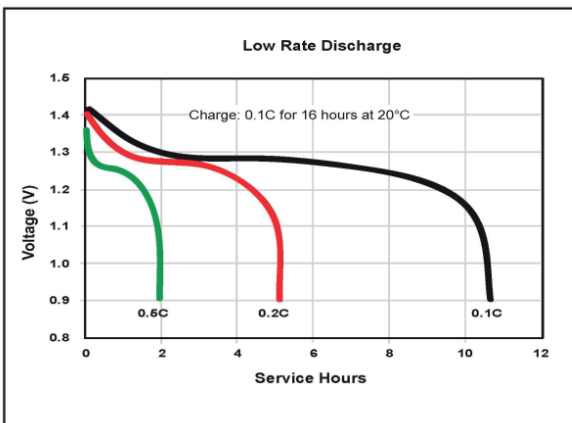
Classification:	Cylindrical Rechargeable
Chemical system	Nickel Metal Hydride (Ni-MH)
Designation:	IEC – HR3
Nominal Voltage:	1.2V
Operating Voltage:	1.0V-1.35V
Operating temp:	-10°C to 50°C
Storage Temp:	5°C – 30°C
Typical weight:	12.8g
Typical Volume:	3.5 cubic centimeters
Typical Impedance:	30 milliohm @ 1 khz
Rated Capacity:	750 mAh
Safety Features:	Pressure released resettable vent

BENEFITS

Stays charged for up to 6 months.*
1 charge up to 35 hours in wireless mouse



<https://www.mega-piles.com/>



DURACELL®
BATTERIES

Berkshire Corporate Park
Bethel, CT 06801 U.S.A.
Tel: Toll free 1.800.544.5454
Web: www.Duracell.com

*When not in use.

Information and contents in this data sheet are for reference purposes only. They do not constitute any warranty and representation is subject to change without notice. For most current information and further details, please contact Duracell.

Document #: CH-A