

DURACELL[®]

PLUS

MN1604

Size: 9V (6LR61)

Alkaline-Manganese Dioxide Battery

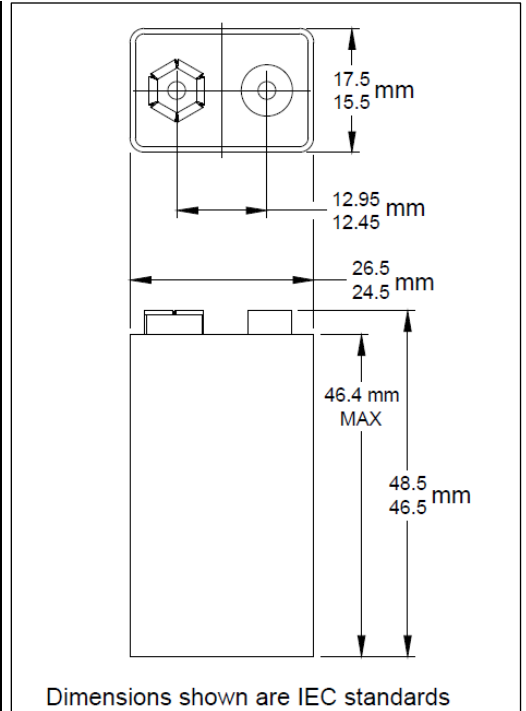
Zn/MnO₂

MEGA-PILES

<https://www.mega-piles.com/>



| | |
|------------------------------------|---|
| Nominal voltage | 9 V |
| Impedance | 1,700 m-ohm @ 1 kHz |
| Typical weight | 46 g (1.7 oz) |
| Typical volume | 22.8 cm ³ (1.4 in ³) |
| Terminals | Miniature snap |
| Storage temperature range | 5°C to 30°C |
| Operating temperature range | -18°C to 54°C |
| Designation | IEC: 6LR61 |



USAGE GUIDE (Please refer to IEC60086.5 for detailed safety and storage specifications.)

- (1) Insert batteries correctly with regard to the polarities (“+”/“-”) marked on the battery and the electrical appliances.
- (2) Do not short-circuit, recharge, heat, disassemble the battery, or dispose of in fire.
- (3) Do not mix use old batteries with new ones, or mix use batteries of different types, chemistries or brands.
- (4) Exhausted batteries should be immediately removed from the equipment.
- (5) Keep the batteries away from small children. Do not let the child remove/replace batteries without monitoring from adults.
- (6) Storage temperature: 5°C~30°C, and humidity conditions RH: 40%~90%.

DURACELL[®]

BATTERIES

Berkshire Corporate Park
Bethel, CT. 06801 U.S.A.
Telephone: Toll-free 1-800-544-5454
www.duracell.com

Delivered capacity is dependent on the applied load, operating temperature and cut-off voltage. Please refer to the charts and discharge data shown for examples of the energy/service life that the battery will provide for various load conditions.

