

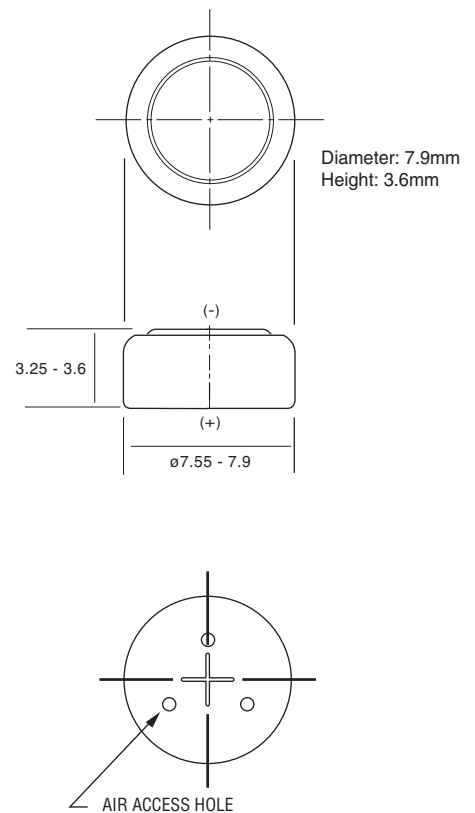
GP Batteries

DATA SHEET

Model No.: **ZA312F**

NO MERCURY ADDED	
Description	: Zinc Air Button
Chemical System	: Zinc Air
Nominal Voltage	: 1.45 Volts
Nominal Capacity	: 170mAh
Dimensions	: Ø7.9 x 3.6 mm
Average weight	: 0.50 grams
Application	: Hearing Aid Instruments
Operating temperature	: -10°C to +50°C

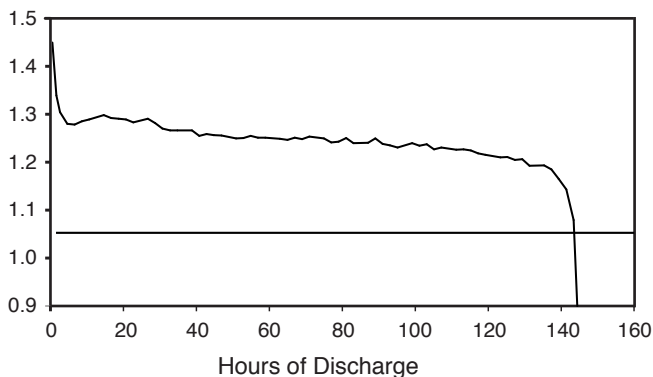
Dimension Drawing



Cross References:

GP	JIS/IEC	Eveready	Duracell	Varta
ZA312F	PR41	AC312	DA312	V312A

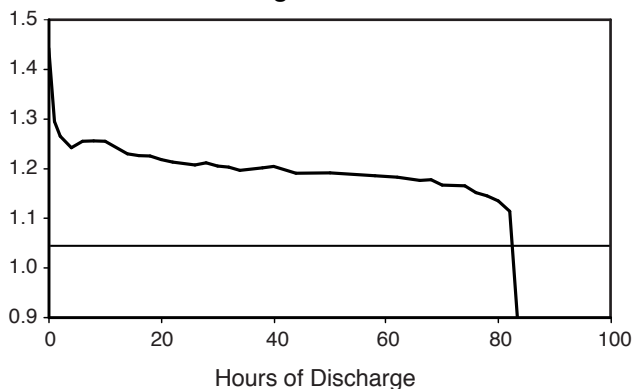
Standard



ANSI/ IEC Hearing Aid Standard Test

141 hours - 1.2 mA background, 5 mA 100 ms pulse, once every 2 hours, 12 hours/ day to 1.05V at 70°F (21°C) and 50% RH.

High Power



ANSI/ IEC Hearing Aid High Power Test

83 hours - 2 mA background, 10 mA 100 ms pulse, once every 2 hours, 12 hours/ day to 1.05V at 70°F (21°C) and 50% RH.

Unit : mm

The information (subject to change without prior notice) contained in this document is for reference only and should not be used as a basis for product guarantee or warranty. For applications other than those described here, please consult your nearest GP Sales and Marketing Office or Distributors.