

GP Batteries

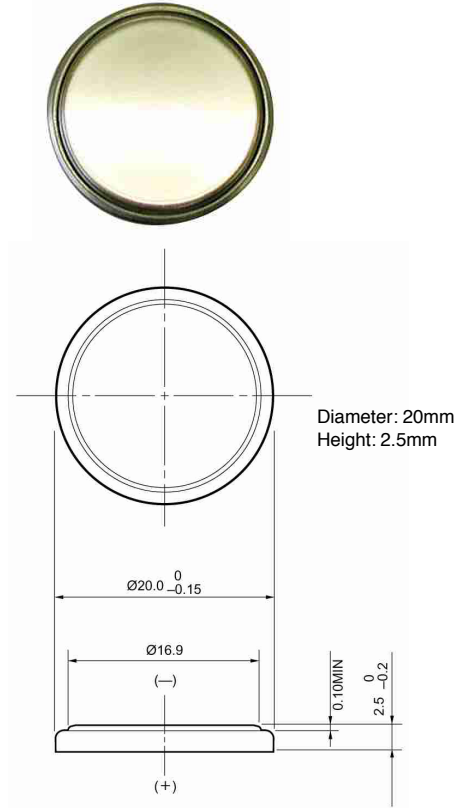
DATA SHEET

Model No.: **CR2025**

- Description** : Flat Lithium Battery
- Chemical system** : Lithium Manganese Dioxide
- Nominal voltage** : 3 Volts
- Nominal capacity** : 160mAh
- Dimensions** : $\varnothing 20.0 \times 2.5\text{mm}$
- Shelf life** : 5 years at room temperature
- Average weight** : 2.4 grams
- Application** : Computer memory back up, Photo

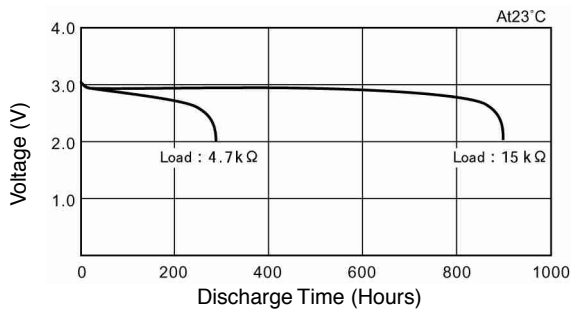
Cross References:

IEC	JIS	Eveready	Varta	Duracell
CR2025	CR2025	ECR2025	CR2025	DL2025

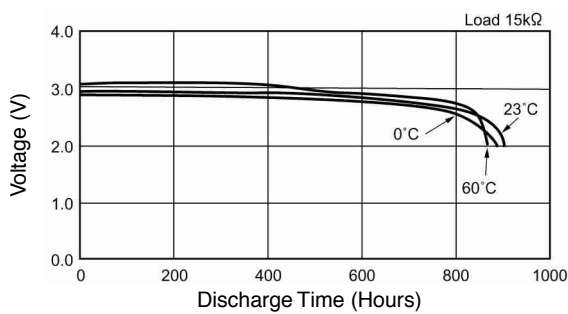


Dimension Drawing

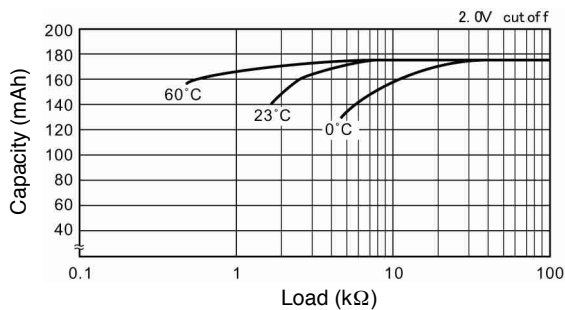
Discharge Characteristics on Load



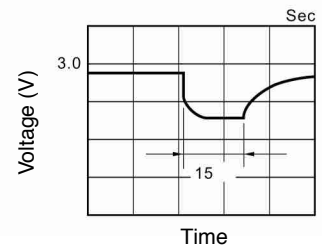
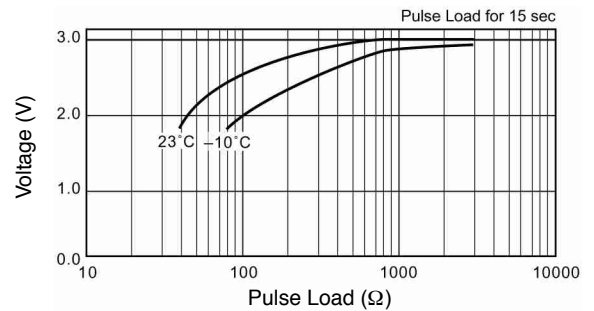
Discharge Characteristics on Temperature



Discharge Load vs. Discharge Capacity



Discharge Characteristics on Pulse Load (Discharge depth 40%)



The information (subject to change without prior notice) contained in this document is for reference only and should not be used as a basis for product guarantee or warranty. For applications other than those described here, please consult your nearest GP Sales and Marketing Office or Distributors.