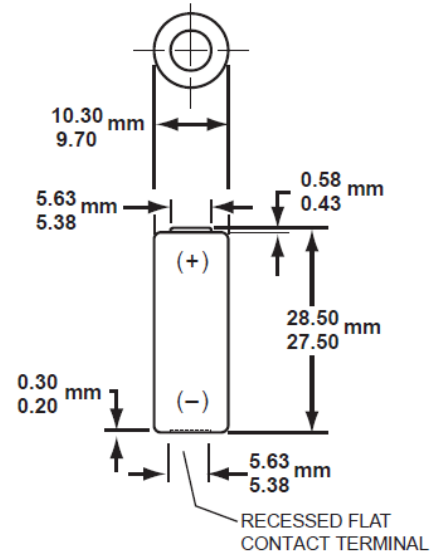


<https://www.mega-piles.com/>



Key Features

- Chemical System: Alkaline-Manganese Dioxide (Zn/MnO₂)
- Replaces 23A, V23GA, MS21, L1028F, LRV08, A23
- High voltage response, stable during most of the lifetime of the application
- Reliable Performance
- Wide operating temperature range
- Low self-discharge with long operating life (<10% after 1 year of storage at + 20 °C)
- Excellent resistance to corrosion
- Designed to meet all major quality, safety and environment standards:
 - Safety: IEC 60086-5
 - Battery Directive 2006/66/EC
 - RoHS and REACH compliance
 - ISO 9001, Duracell World Class Continuous Program

Operating conditions

- Operating temperature range -10°C to 60°C (14°F to 140°F)
- Storage temperatures Recommended 5°C to 30°C (41°F to 86°F)

Electrical characteristics

- Nominal capacity (20k Ohm Cont., 6.0 V cut-off) 60 mAh
- Open circuit voltage (at + 20 °C) 12.0 V
- AC Impedance @ 1kHz 22 Ohm

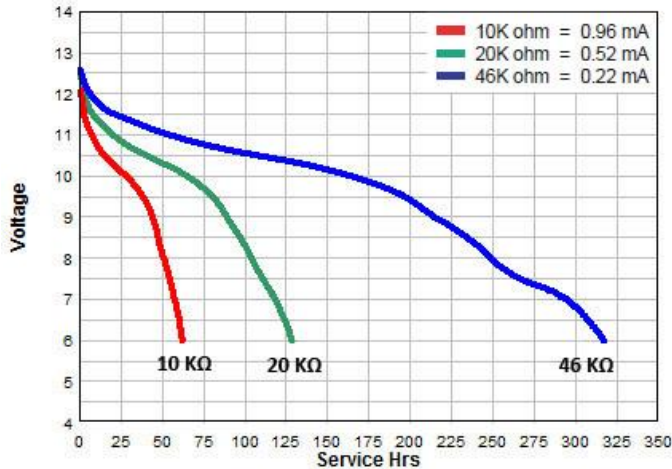
Physical characteristics

- Typical weight 7.95 g (0.28 oz.)
- Typical volume 2.3 cm³ (.14 in³)

Typical applications

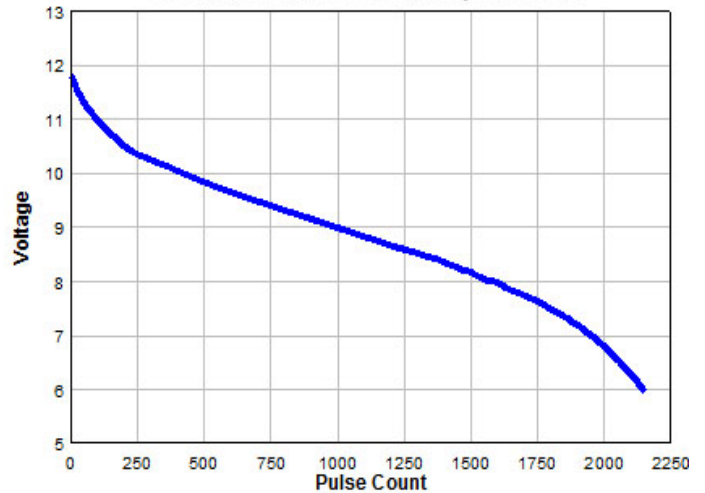
- Automobile remote controller
- Car burglar alarm remote
- Doorbells
- Roll-up Door remote control
- Electric appliance remote control
- Flashlights
- Toys

Continuous Discharge @ Room Temperature

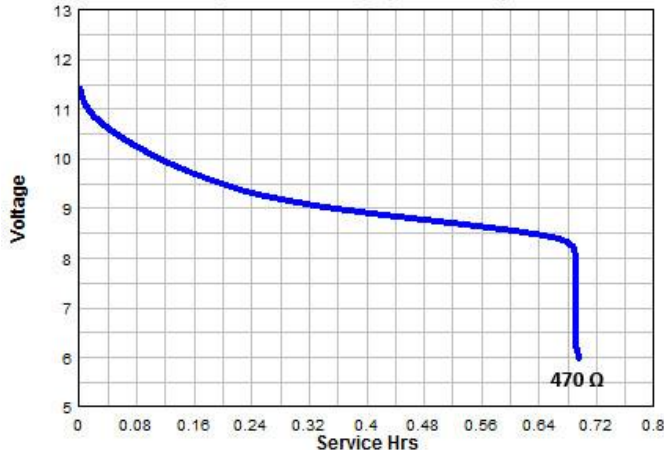


Delivered capacity is dependent on the applied load, operating temperature and cut-off voltage. Please refer to the charts and discharge data shown for examples of the energy/service life that the battery will provide for various load conditions.

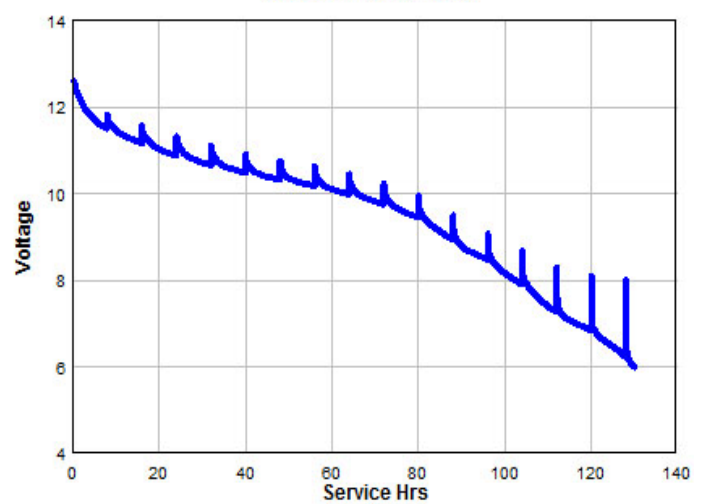
15 mA, 5s on, 55s off, 24h/d to 6.0V



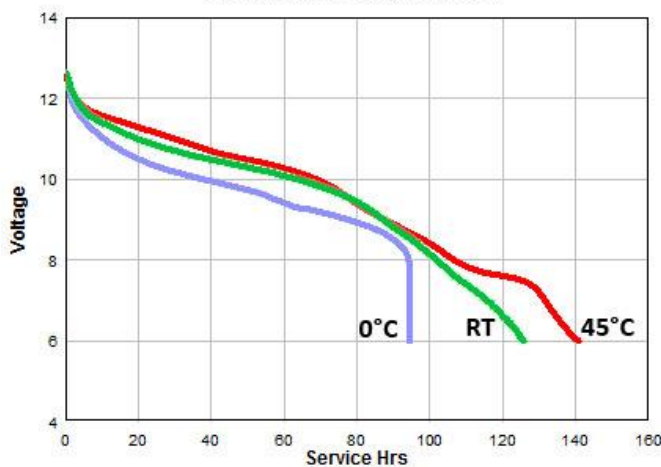
High Load Discharge (470 Ω Cont.)



20K ohm 8h/d to 6V



20 KΩ Continuous to 6.0V



DURACELL®

BATTERIES

Berkshire Corporate Park
Bethel, CT. 06801 U.S.A.
Telephone: Toll-free 1-800-544-5454
www.duracell.com