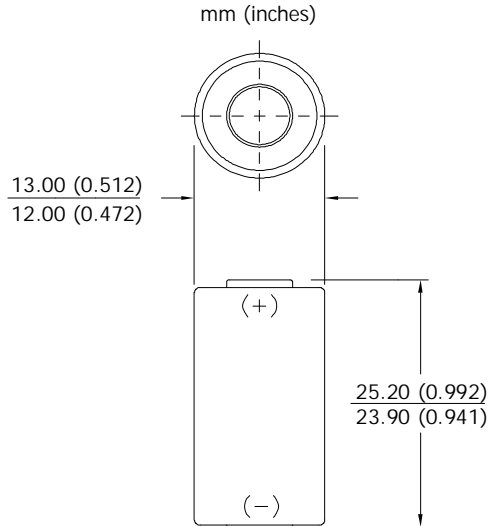


ENERGIZER A544

Miniature Alkaline



Industry Standard Dimensions



Designed specifically for photo use

Specifications

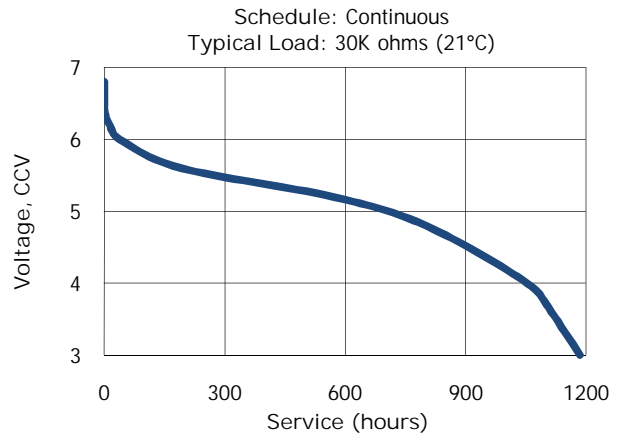
Chemical System:	Manganese Dioxide (MnO ₂)
Designation:	ANSI/NEDA-1414A, IEC-4LR44
Nominal Voltage:	6.0 volts
Typical Weight:	9.8 grams (0.3 oz)
Typical Volume:	3.3 cubic centimeters (0.2 cubic inch)
Typical Capacity:	178 mAh to 3.6 volts (rated at 30k ohms at 21°C)
Cells:	Four No. LR44 in series
Jacket:	Metal

Typical Discharge Characteristics

21°C (70°F)

Schedule (time)	Drain (mA)	Load (ohms)	Cutoff Voltage
			3.6V (hours)
Continuous	0.16	30K	1,113

Discharge Characteristics



Important Notice

This datasheet contains typical information specific to products manufactured at the time of its publication.
 ©Energizer Holdings, Inc. - Contents herein do not constitute a warranty.