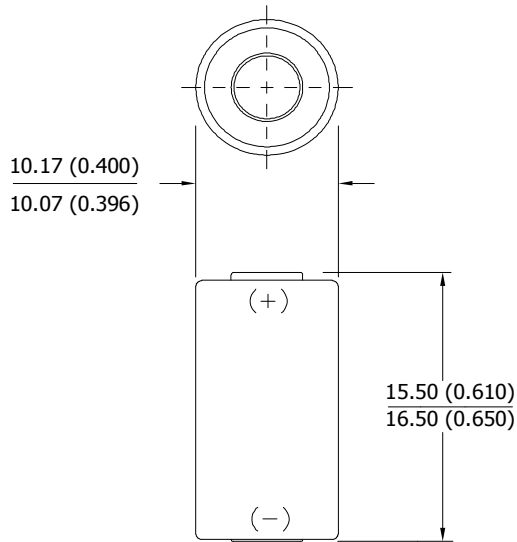


# ENERGIZER E11A

Miniature Alkaline



## Industry Standard Dimensions mm (inches)



## Specifications

Classification:	"Miniature Alkaline"
Chemical System:	Manganese Dioxide (MnO <sub>2</sub> )
Designation:	N/A
Nominal Voltage:	6.0 volts
Typical Capacity:	38 mAh to 3.0 volts (rated at 10k ohms at 21°C)
Typical Weight:	4.0 grams (0.15 oz)
Jacket:	Metal

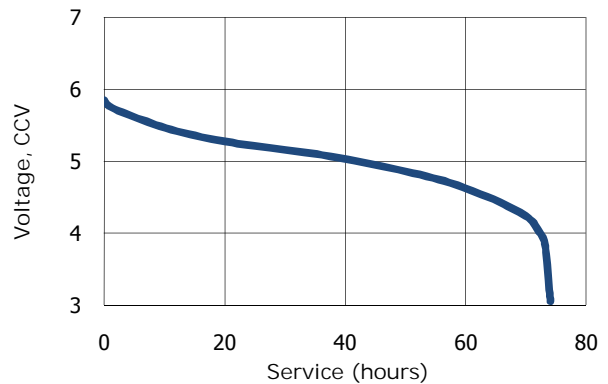
## Typical Discharge Durations

21°C (70°F)

Schedule (time)	Drain (mA)	Load (ohms)	Cutoff Voltage		
			5.6V (hours)	4.8V (hours)	3.0V (hours)
Continuous	0.5	10K	5.6	56	74

## Discharge Characteristics

Schedule: Continuous  
 Typical Load: 10KΩ (21°C)



### Important Notice

This datasheet contains typical information specific to products manufactured at the time of its publication.  
 ©Energizer Holdings, Inc. - Contents herein do not constitute a warranty.